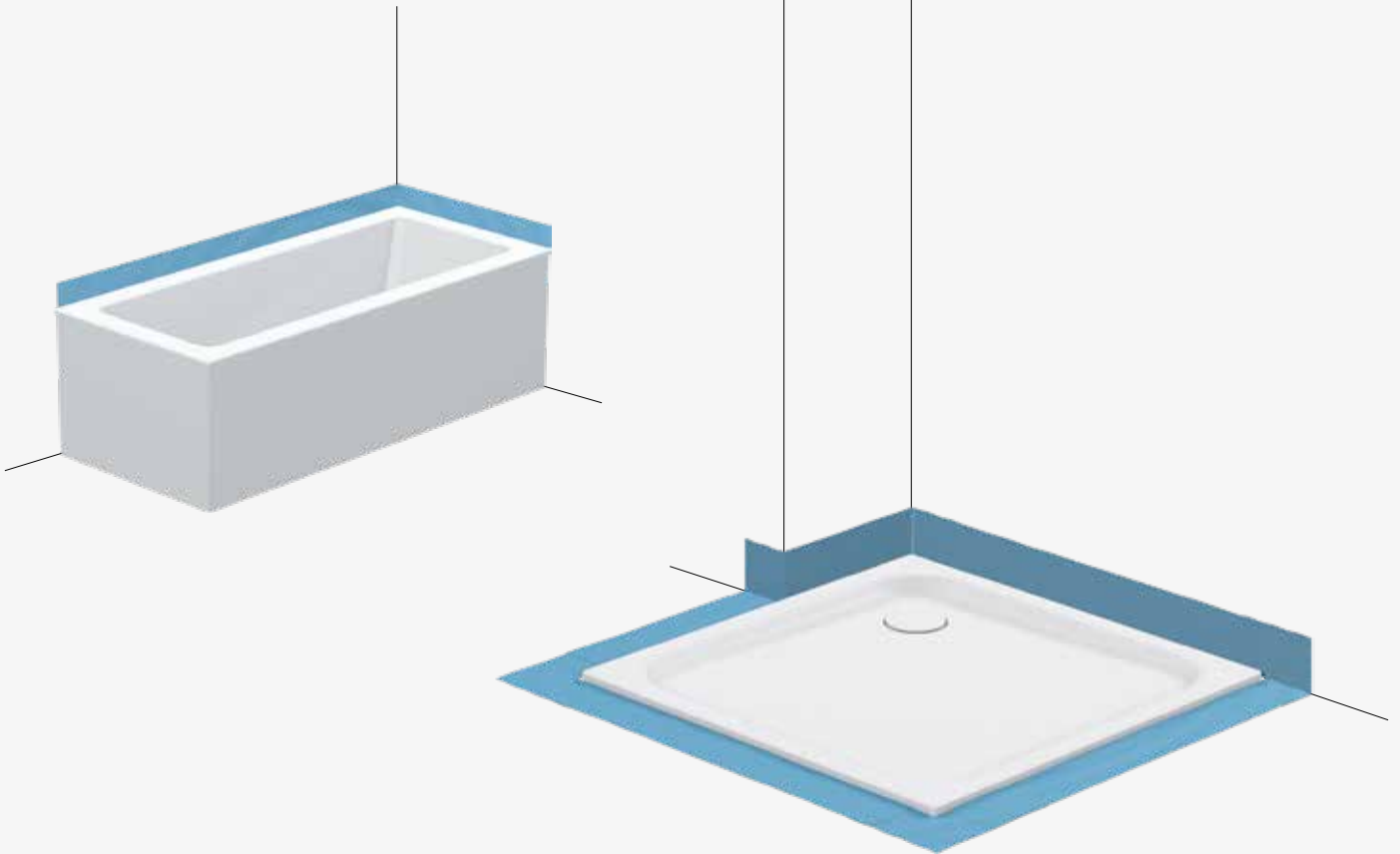


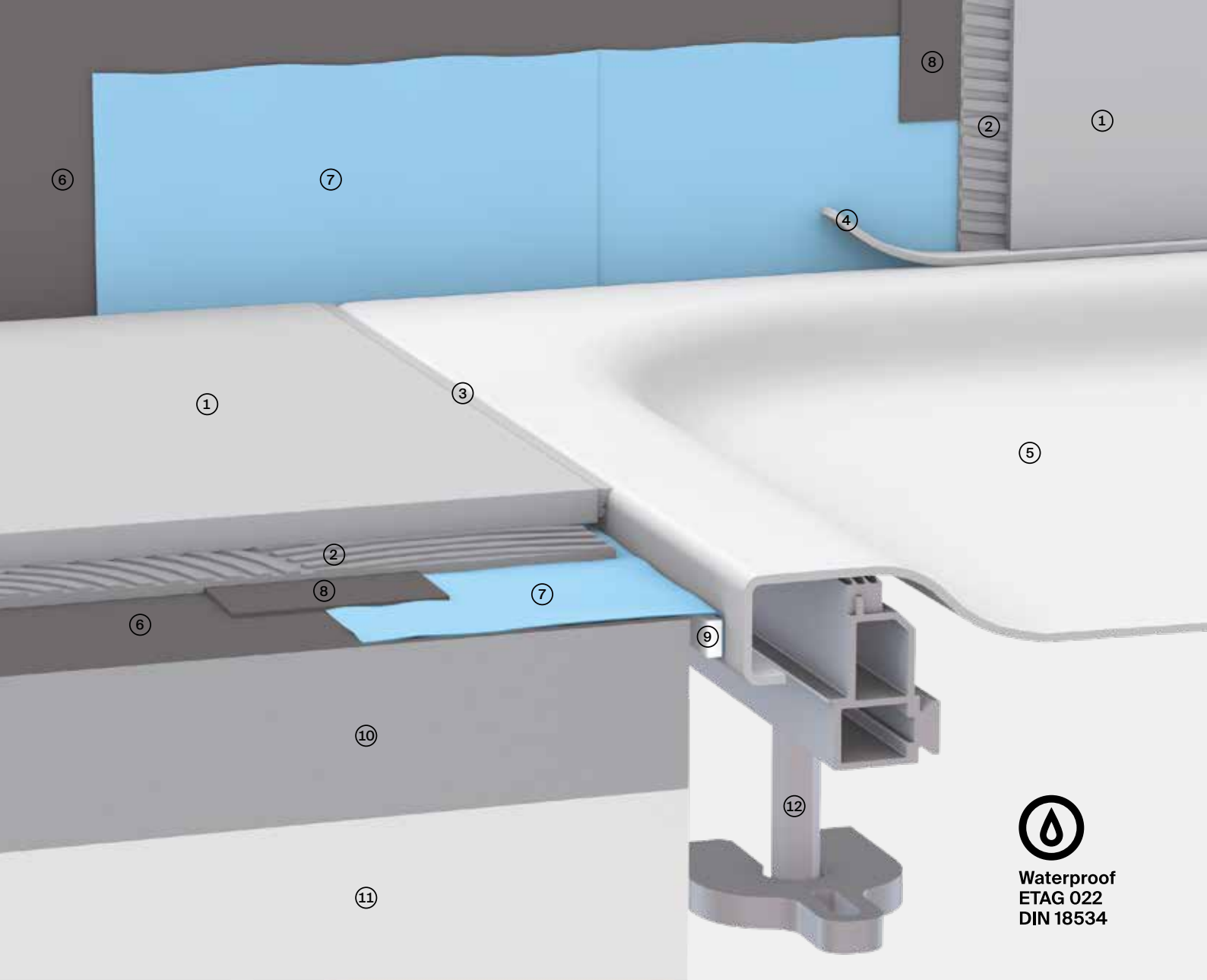
# Sealing System

Easy  
to use,  
optimum  
safety



The clever solution for long-term protection of the building fabric against moisture and mould. Easy and extremely versatile.

**BETTE**



Waterproof  
ETAG 022  
DIN 18534

- 1 Tile
- 2 Tile adhesive
- 3 Silicone joint
- 4 Tile separator strip\*
- 5 Shower area
- 6 1st Bonded seal
- 7 Sealing fleece with butyl adhesive strip\*
- 8 2nd Bonded seal
- 9 Insulating tape\*
- 10 Screed
- 11 Floor insulation
- 12 Assembly aid

- Suitable for floor and wall seals
- Fast, easy installation thanks to the flexible butyl sealing strip and a choice of pre-fabricated corner elements
- Thin fleece material for a precise fit with no irritating folds
- Including sound insulation and tile separator strips
- Reliable floor and wall seals to DIN 18534

\* Sealing System components

#### Tested tightness

The sealing system has been tested in accordance with ETAG 022 (Guideline for the European Approval for Watertight Covering Kits for Wet Room Floors and/or Walls, part 1, attachment A) under certified conditions by the independent test institute Kiwa GmbH and found to be leakproof.

For the test, every single version of attachment and seal of the sealing system was installed in test basins and tested for a period of seven days with a wide range of watering and drying cycles. The items were all installed with no additional adhesive or grouting materials.